

Performance certified is for installation type B - free inlet, ducted outlet.  
 Power rating (kW) does not include transmission losses.  
 Performance ratings do not include the effects of appurtenances (accessories).

**Technical Data**

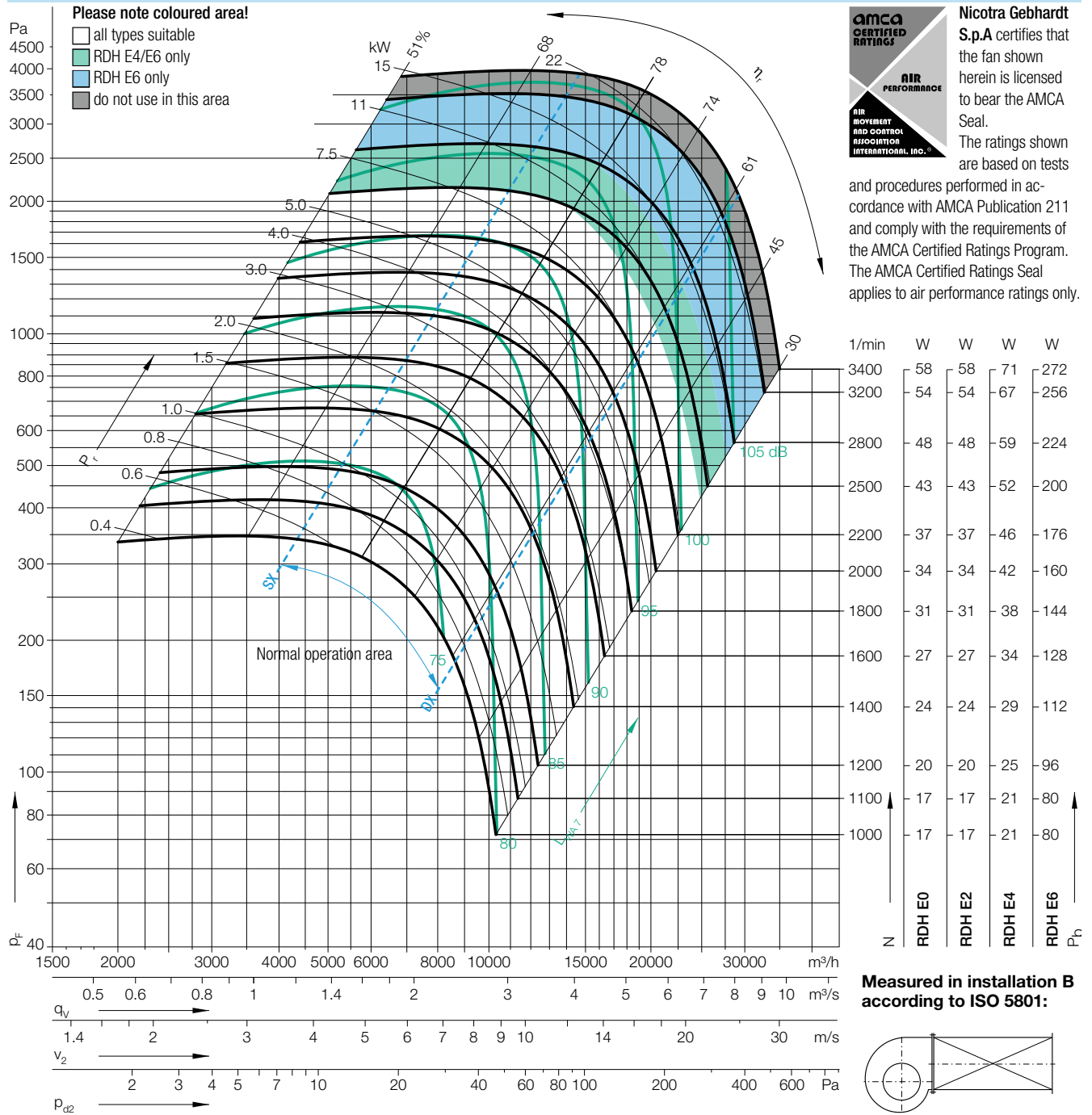
**Impeller Data**

Impeller diameter	$D_r$	452 mm
Number of blades	$z$	11
Moment of Inertia	$J$	0,520 kgm <sup>2</sup>

**Impeller Data**

Impeller weight	$m$	17,6 kg
Density of media	$\rho_1$	1,2 kg/m <sup>3</sup>
Tolerance class (DIN 24166)		1

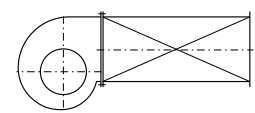
**Performance Curves**



**Nicotra Gebhardt S.p.A** certifies that the fan shown herein is licensed to bear the AMCA Seal. The ratings shown are based on tests

and procedures performed in accordance with AMCA Publication 211 and comply with the requirements of the AMCA Certified Ratings Program. The AMCA Certified Ratings Seal applies to air performance ratings only.

1/min	W	W	W	W
3400	58	58	71	272
3200	54	54	67	256
2800	48	48	59	224
2500	43	43	52	200
2200	37	37	46	176
2000	34	34	42	160
1800	31	31	38	144
1600	27	27	34	128
1400	24	24	29	112
1200	20	20	25	96
1100	17	17	21	80
1000	17	17	21	80



Duty point	Speed 1/min	dB
SX	2800	3
SX	2000	3
SX	1200	3
$Q_{V,opt}$	2800	3
$Q_{V,opt}$	2000	3
$Q_{V,opt}$	1200	3
DX	2800	3
DX	2000	3
DX	1200	3

Relative sound power level for inlet side  $L_{Wrel7}$  at octave centre frequencies  $f_c$

63	125	250	500	1000	2000	4000	8000	Hz
-7	-4	-4	0	-7	-10	-13	-17	dB
-3	-2	-1	-1	-6	-10	-13	-19	dB
1	0	3	-3	-7	-10	-15	-20	dB
-9	-7	-7	-1	-6	-9	-12	-17	dB
-7	-5	-4	-1	-5	-9	-13	-19	dB
-4	-4	3	-2	-6	-10	-15	-21	dB
-7	-8	-8	0	-7	-9	-13	-19	dB
-7	-6	-5	-1	-6	-9	-14	-21	dB
-5	-5	3	-3	-6	-10	-17	-24	dB

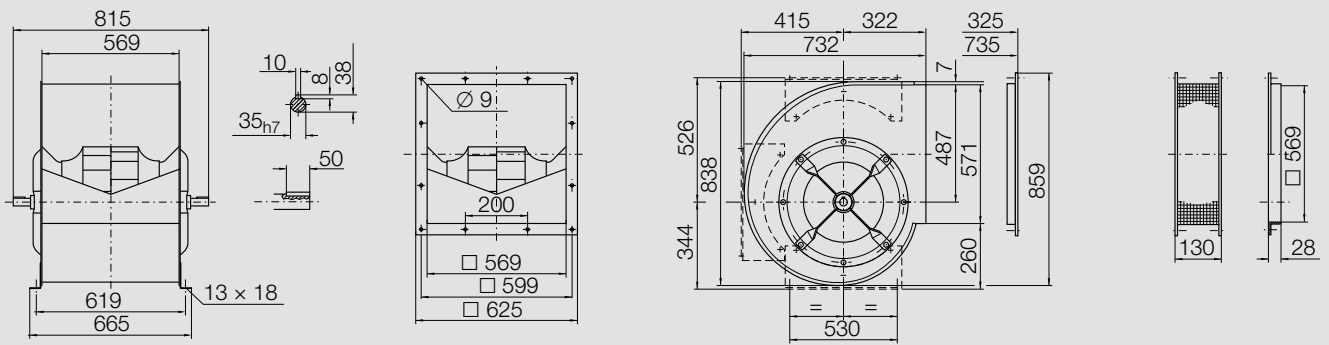
Relative sound power level for discharge side  $L_{Wrel4}$  at octave centre frequencies  $f_c$

63	125	250	500	1000	2000	4000	8000	Hz
10	6	2	0	-4	-5	-11	-16	dB
10	6	3	0	-2	-6	-12	-18	dB
6	0	0	1	-2	-8	-14	-20	dB
6	2	-2	-2	-3	-3	-10	-16	dB
6	2	0	-2	0	-5	-12	-19	dB
6	2	6	2	-1	-8	-15	-21	dB
6	1	-3	1	-4	-4	-10	-17	dB
6	0	0	0	-1	-5	-12	-19	dB
4	1	6	1	-2	-8	-15	-22	dB

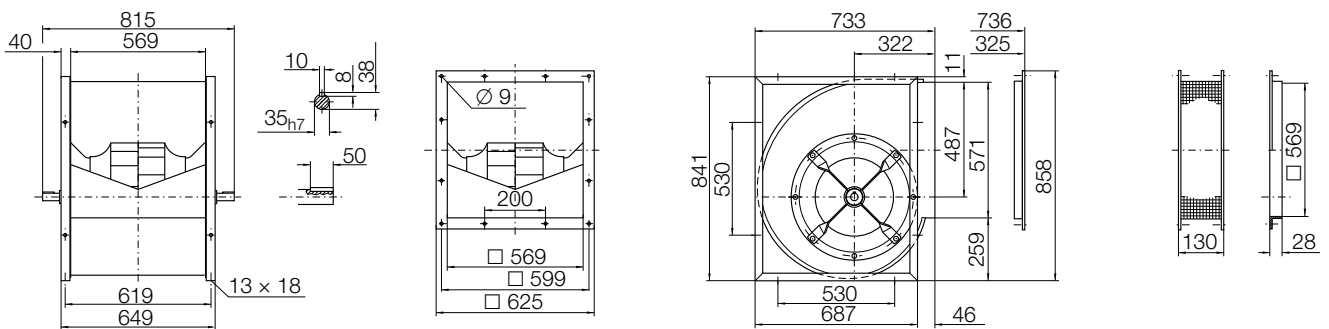
# RDH E\_-0450

Dimensions in mm, subject to change.

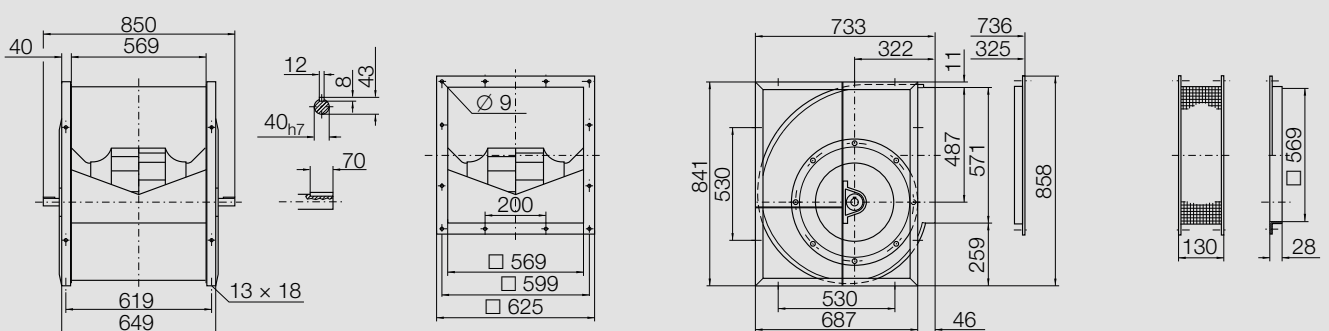
**RDH E0-0450** 50 kg



**RDH E2-0450** 57 kg



**RDH E4-0450** 73 kg



**RDH E6-0450** 75 kg

