

# RDH E\_-0315

Performance certified is for installation type B - free inlet, ducted outlet.  
 Power rating (kW) does not include transmission losses.  
 Performance ratings do not include the effects of appurtenances (accessories).

## Technical Data

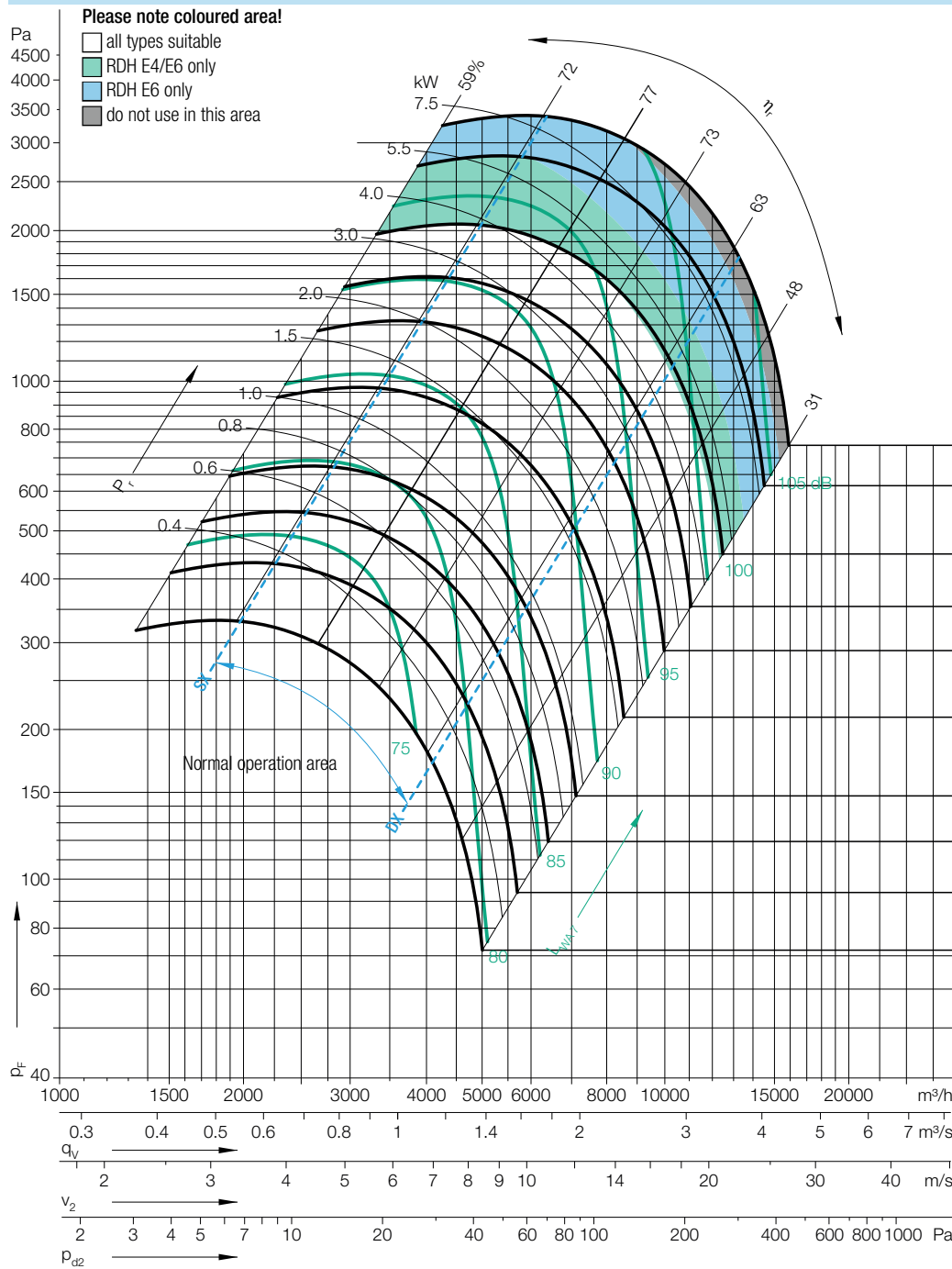
### Impeller Data

Impeller diameter	$D_r$	317 mm
Number of blades	$z$	11
Moment of Inertia	$J$	0,110 kgm <sup>2</sup>

### Impeller Data

Impeller weight	$m$	7,14 kg
Density of media	$\rho_1$	1,2 kg/m <sup>3</sup>
Tolerance class (DIN 24166)		2

## Performance Curves

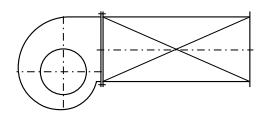


**Nicotra Gebhardt S.p.A** certifies that the fan shown herein is licensed to bear the AMCA Seal. The ratings shown are based on tests

and procedures based in accordance with AMCA Publication 211 and comply with the requirements of the AMCA Certified Ratings Program. The AMCA Certified Ratings Seal applies to air performance ratings only.

1/min	W	W	W	W
4500	54	54	68	225
4100	49	49	62	205
3500	42	42	53	175
3100	37	37	47	155
2800	34	34	42	140
2400	29	29	36	120
2000	24	24	30	100
1800	22	22	27	90
1600	19	19	24	80
1400	17	17	21	70

Measured in installation B according to ISO 5801:



$\Delta L_{Wrel4}(A)$

Duty point	Speed 1/min	dB
SX	4100	4
SX	2800	4
SX	1600	3
$Q_{V,opt}$	4100	4
$Q_{V,opt}$	2800	4
$Q_{V,opt}$	1600	4
DX	4100	3
DX	2800	3
DX	1600	3

Relative sound power level for inlet side  $L_{Wrel7}$  at octave centre frequencies  $f_c$

63	125	250	500	1000	2000	4000	8000	Hz
-7	-5	-4	-4	-3	-11	-15	-18	dB
-7	-4	-4	-0	-6	-12	-14	-18	dB
0	-1	2	-2	-8	-10	-14	-18	dB
-9	-9	-8	-6	-3	-11	-14	-18	dB
-9	-7	-7	-1	-8	-11	-13	-19	dB
-5	-5	0	-4	-7	-9	-14	-20	dB
-9	-9	-9	-7	-2	-10	-12	-16	dB
-7	-8	-8	0	-7	-10	-12	-19	dB
-6	-5	0	-3	-6	-8	-15	-22	dB

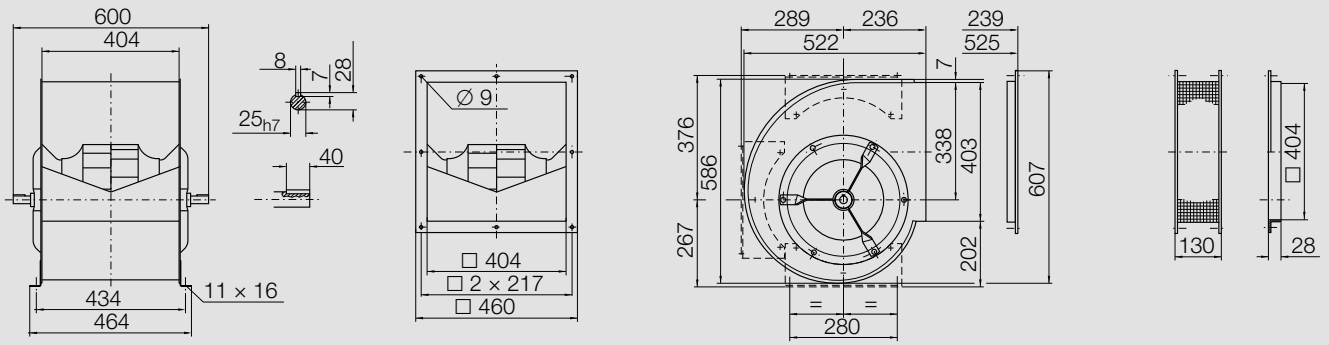
Relative sound power level for discharge side  $L_{Wrel4}$  at octave centre frequencies  $f_c$

63	125	250	500	1000	2000	4000	8000	Hz
8	8	4	-1	-3	-6	-11	-17	dB
11	7	3	-1	-3	-7	-12	-17	dB
11	7	6	0	-2	-7	-13	-18	dB
7	5	0	-3	-3	-6	-10	-16	dB
7	3	-1	0	-4	-6	-11	-18	dB
7	2	4	-2	-1	-6	-13	-19	dB
6	4	-2	-3	-1	-5	-8	-14	dB
6	2	-2	1	-3	-5	-9	-17	dB
6	2	5	-1	-1	-5	-12	-20	dB

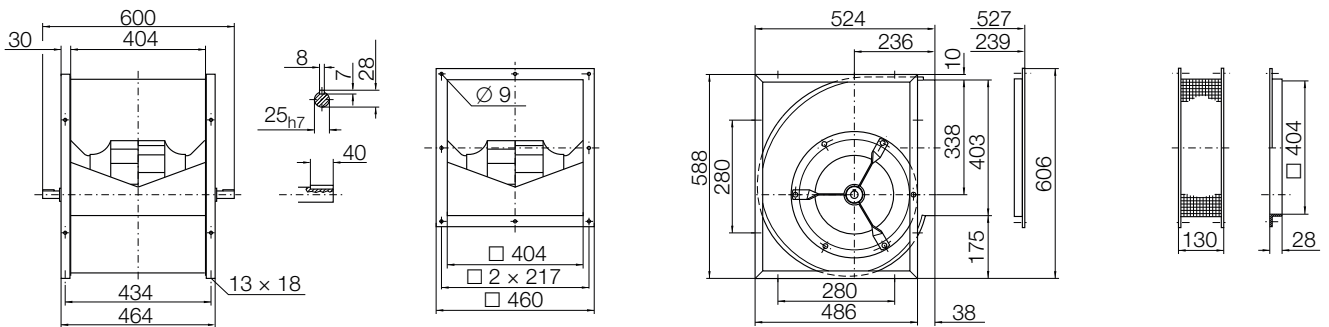
# RDH E\_-0315

**Dimensions** in mm, subject to change.

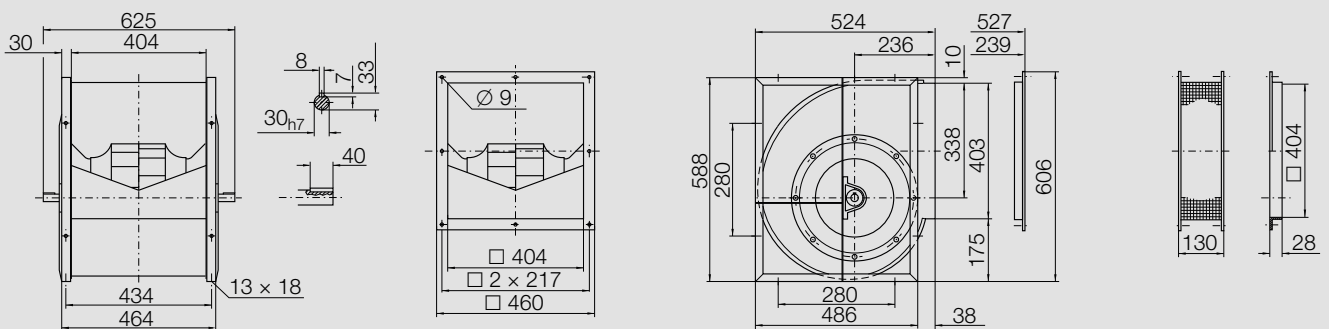
**RDH E0-0315** 21 kg



**RDH E2-0315** 25 kg



**RDH E4-0315** 32 kg



**RDH E6-0315** 34 kg

