

Performance certified is for installation type B - free inlet, ducted outlet.
Power rating (kW) does not include transmission losses.
Performance ratings do not include the effects of appurtenances (accessories).

Technical Data

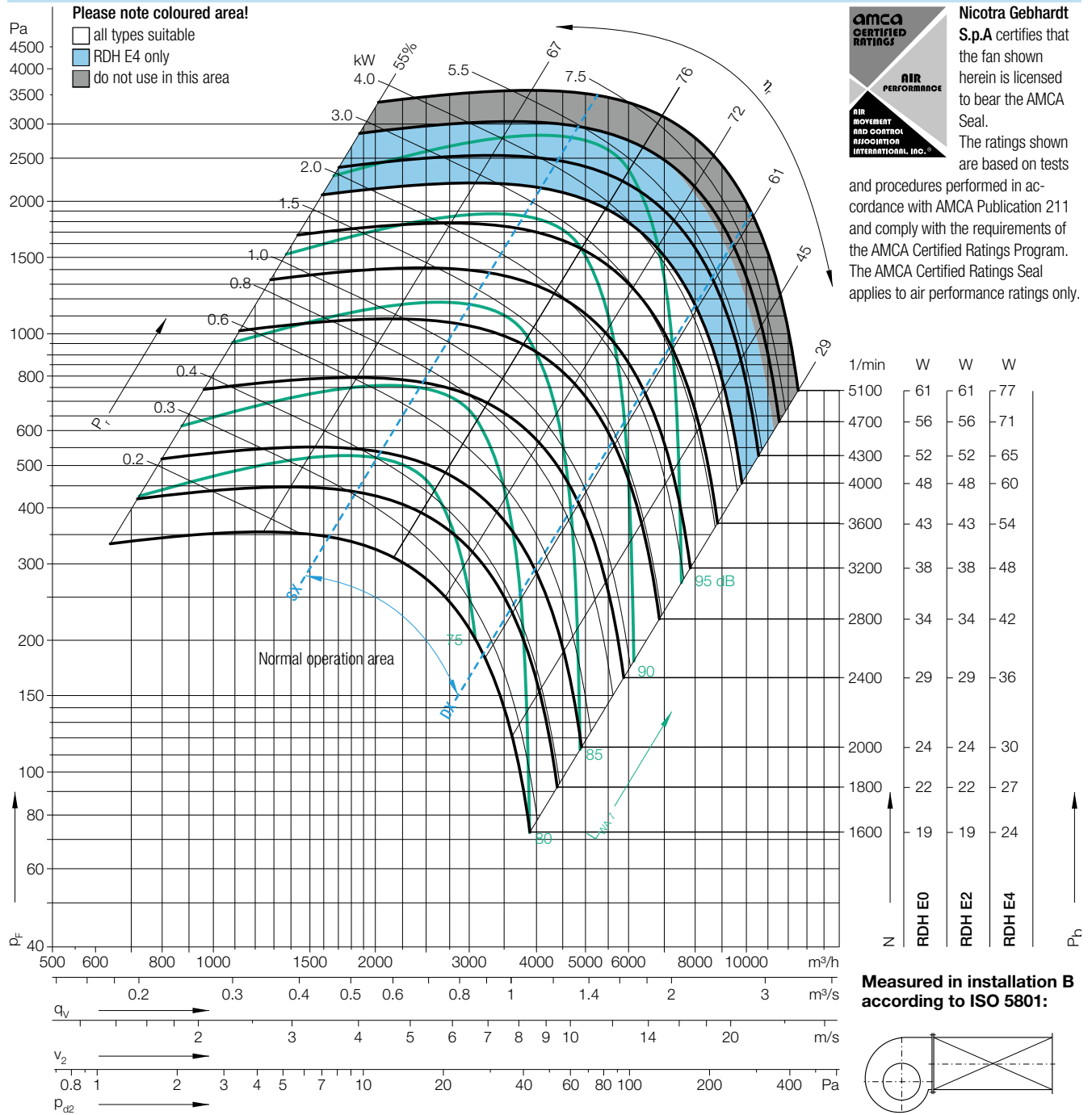
Impeller Data

| | | |
|-------------------|-------|------------------------|
| Impeller diameter | D_r | 282 mm |
| Number of blades | z | 11 |
| Moment of Inertia | J | 0,069 kgm ² |

Impeller Data

| | | |
|-----------------------------|----------|-----------------------|
| Impeller weight | m | 5,89 kg |
| Density of media | ρ_1 | 1,2 kg/m ³ |
| Tolerance class (DIN 24166) | | 2 |

Performance Curves



$\Delta L_{Wrel4}(A)$

| Duty point | Speed 1/min | dB |
|-------------|-------------|----|
| SX | 4300 | 3 |
| SX | 2800 | 3 |
| SX | 1800 | 3 |
| $Q_{V,opt}$ | 4300 | 4 |
| $Q_{V,opt}$ | 2800 | 3 |
| $Q_{V,opt}$ | 1800 | 4 |
| DX | 4300 | 3 |
| DX | 2800 | 4 |
| DX | 1800 | 4 |

Relative sound power level for inlet side L_{Wrel7} at octave centre frequencies f_c

| 63 | 125 | 250 | 500 | 1000 | 2000 | 4000 | 8000 | Hz |
|-----|-----|-----|-----|------|------|------|------|----|
| -8 | -6 | -5 | -5 | -4 | -9 | -12 | -16 | dB |
| -7 | -4 | -4 | -1 | -8 | -8 | -13 | -18 | dB |
| -1 | -1 | 0 | -4 | -5 | -8 | -14 | -19 | dB |
| -10 | -9 | -8 | -8 | -4 | -7 | -10 | -15 | dB |
| -9 | -7 | -7 | -1 | -7 | -6 | -12 | -18 | dB |
| -6 | -5 | -2 | -5 | -4 | -7 | -14 | -20 | dB |
| -9 | -9 | -9 | -8 | -4 | -6 | -8 | -14 | dB |
| -7 | -8 | -8 | -3 | -7 | -5 | -11 | -18 | dB |
| -6 | -6 | -3 | -5 | -4 | -6 | -14 | -22 | dB |

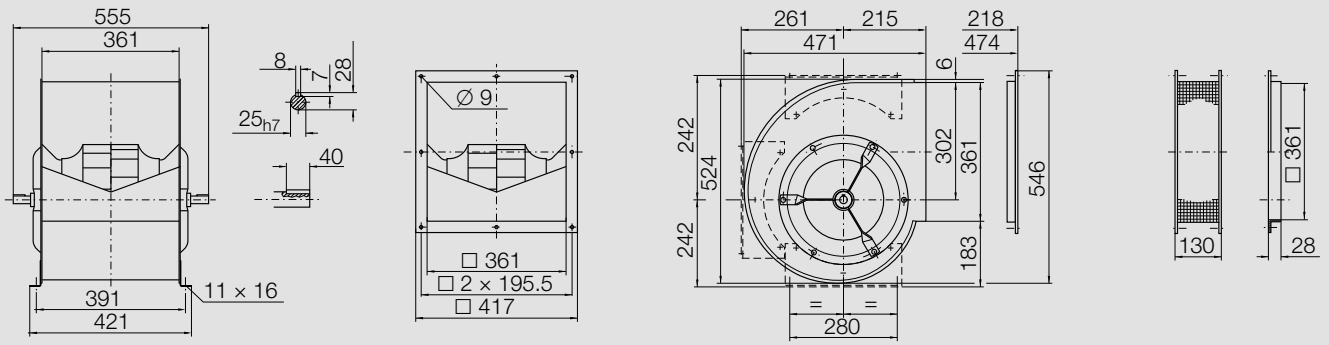
Relative sound power level for discharge side L_{Wrel4} at octave centre frequencies f_c

| 63 | 125 | 250 | 500 | 1000 | 2000 | 4000 | 8000 | Hz |
|----|-----|-----|-----|------|------|------|------|----|
| 7 | 7 | 3 | -3 | -4 | -4 | -8 | -15 | dB |
| 10 | 6 | 2 | -1 | -5 | -3 | -11 | -17 | dB |
| 11 | 7 | 5 | -3 | 0 | -5 | -13 | -18 | dB |
| 7 | 5 | 0 | -6 | -5 | -2 | -5 | -14 | dB |
| 7 | 3 | -1 | -3 | -4 | 0 | -10 | -17 | dB |
| 7 | 2 | 2 | -4 | 1 | -4 | -13 | -19 | dB |
| 6 | 4 | -1 | -4 | -3 | -2 | -4 | -12 | dB |
| 7 | 2 | -2 | -1 | -4 | 0 | -8 | -16 | dB |
| 7 | 2 | 3 | -3 | 1 | -3 | -11 | -19 | dB |

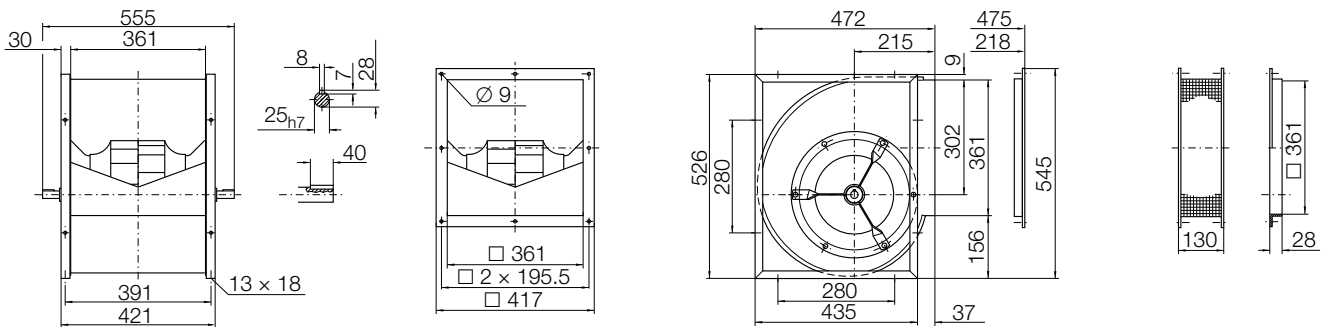
RDH E_-0280

Dimensions in mm, subject to change.

RDH E0-0280 17.8 kg



RDH E2-0280 21 kg



RDH E4-0280 28 kg

