

Performance certified is for installation type B - free inlet, ducted outlet.  
 Power rating (kW) does not include transmission losses.  
 Performance ratings do not include the effects of appurtenances (accessories).

**Technical Data**

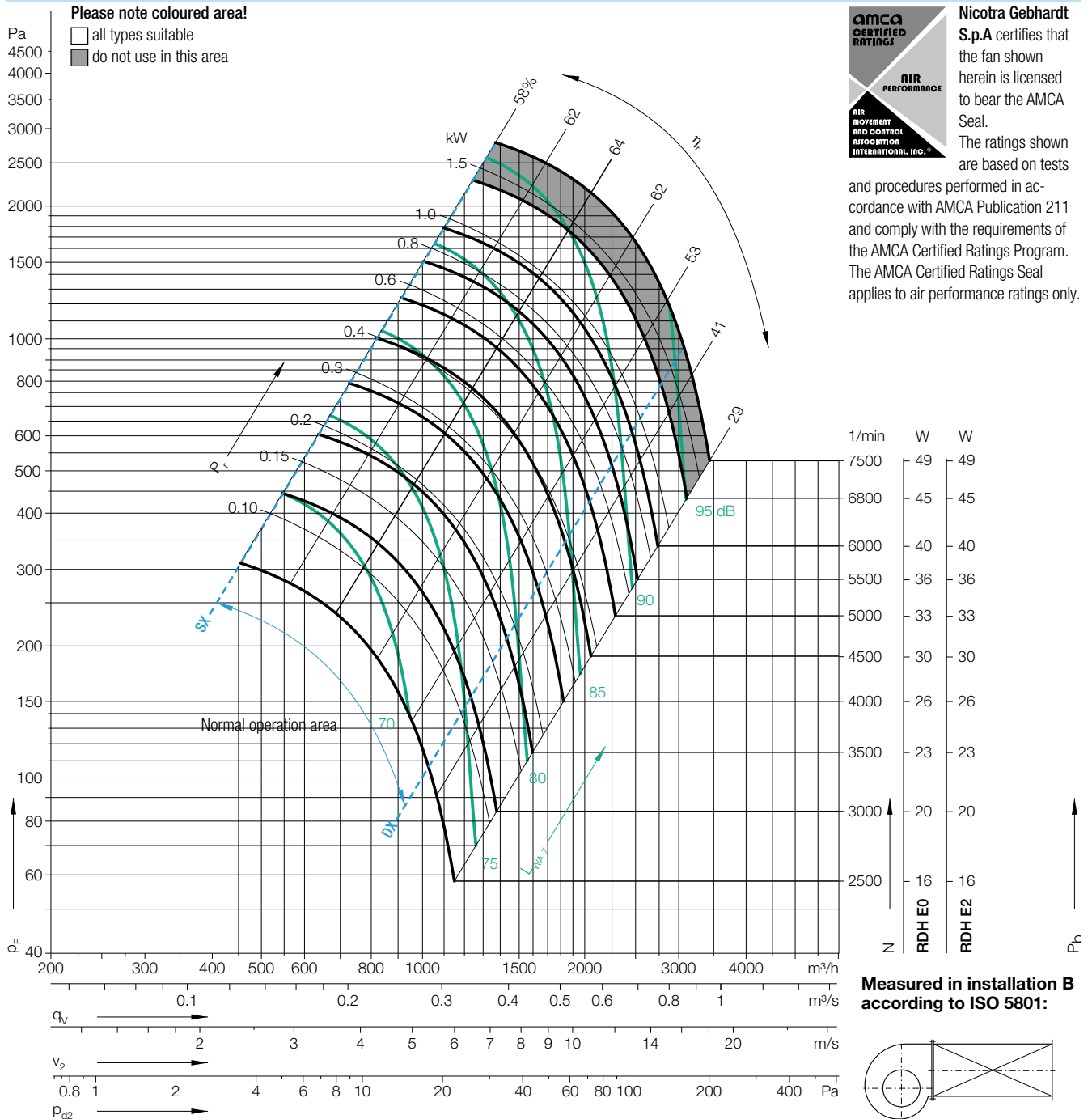
**Impeller Data**

Impeller diameter	$D_r$	180 mm
Number of blades	$z$	8
Moment of Inertia	$J$	0,003 kgm <sup>2</sup>

**Impeller Data**

Impeller weight	$m$	0,62 kg
Density of media	$\rho_1$	1,2 kg/m <sup>3</sup>
Tolerance class (DIN 24166)		2

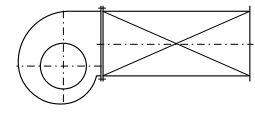
**Performance Curves**



**AMCA CERTIFIED RATINGS**  
**AIR PERFORMANCE**  
**AIR MOVEMENT AND CONTROL ASSOCIATION INTERNATIONAL, INC.**

**Nicotra Gebhardt S.p.A** certifies that the fan shown herein is licensed to bear the AMCA Seal. The ratings shown are based on tests and procedures performed in accordance with AMCA Publication 211 and comply with the requirements of the AMCA Certified Ratings Program. The AMCA Certified Ratings Seal applies to air performance ratings only.

Measured in installation B according to ISO 5801:



$\Delta L_{Wrel4}(A)$

Duty point	Speed 1/min	dB
SX	6000	4
SX	4500	3
SX	3000	2
$Q_{V,opt}$	6000	3
$Q_{V,opt}$	4500	2
$Q_{V,opt}$	3000	1
DX	6000	2
DX	4500	1
DX	3000	1

Relative sound power level for inlet side  $L_{Wrel7}$  at octave centre frequencies  $f_c$

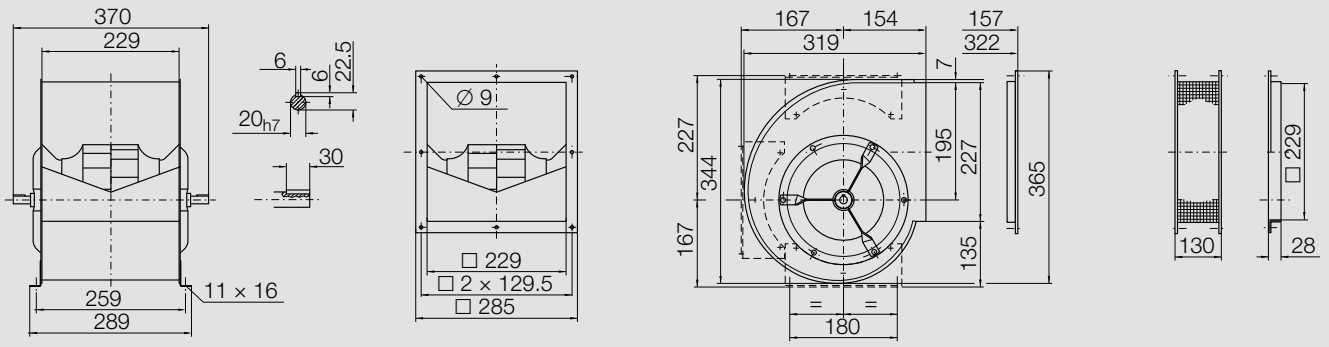
63	125	250	500	1000	2000	4000	8000	Hz
-14	-6	-2	-5	-5	-6	-11	-17	dB
-9	-2	-3	-3	-5	-8	-12	-18	dB
-3	0	-3	-3	-4	-9	-15	-21	dB
-17	-8	-3	-5	-6	-5	-12	-17	dB
-11	-4	-3	-4	-4	-8	-13	-18	dB
-5	0	-3	-4	-3	-10	-15	-22	dB
-21	-11	-6	-4	-6	-5	-11	-16	dB
-15	-7	-5	-4	-4	-8	-12	-17	dB
-9	-4	-2	-4	-3	-9	-14	-21	dB

Relative sound power level for discharge side  $L_{Wrel4}$  at octave centre frequencies  $f_c$

63	125	250	500	1000	2000	4000	8000	Hz
15	8	3	3	-5	-6	-10	-17	dB
16	5	5	2	-6	-6	-12	-19	dB
10	6	5	-3	-4	-8	-15	-22	dB
8	6	5	1	-7	-6	-12	-21	dB
10	6	5	0	-6	-7	-16	-22	dB
8	7	3	-5	-4	-10	-19	-25	dB
5	3	-2	1	-7	-6	-9	-19	dB
7	1	0	-1	-6	-6	-12	-21	dB
5	0	3	-5	-4	-7	-17	-26	dB

# RDH E\_-0180

**Dimensions** in mm, subject to change.  
**RDH E0-0180** 5.3 kg



**RDH E2-0180** 7.1 kg

