

AT 10/8

Performance certified is for installation type B - free inlet, ducted outlet.
 Power rating (kW) does not include transmission losses.
 Performance ratings do not include the effects of appurtenances (accessories).

Technical Data

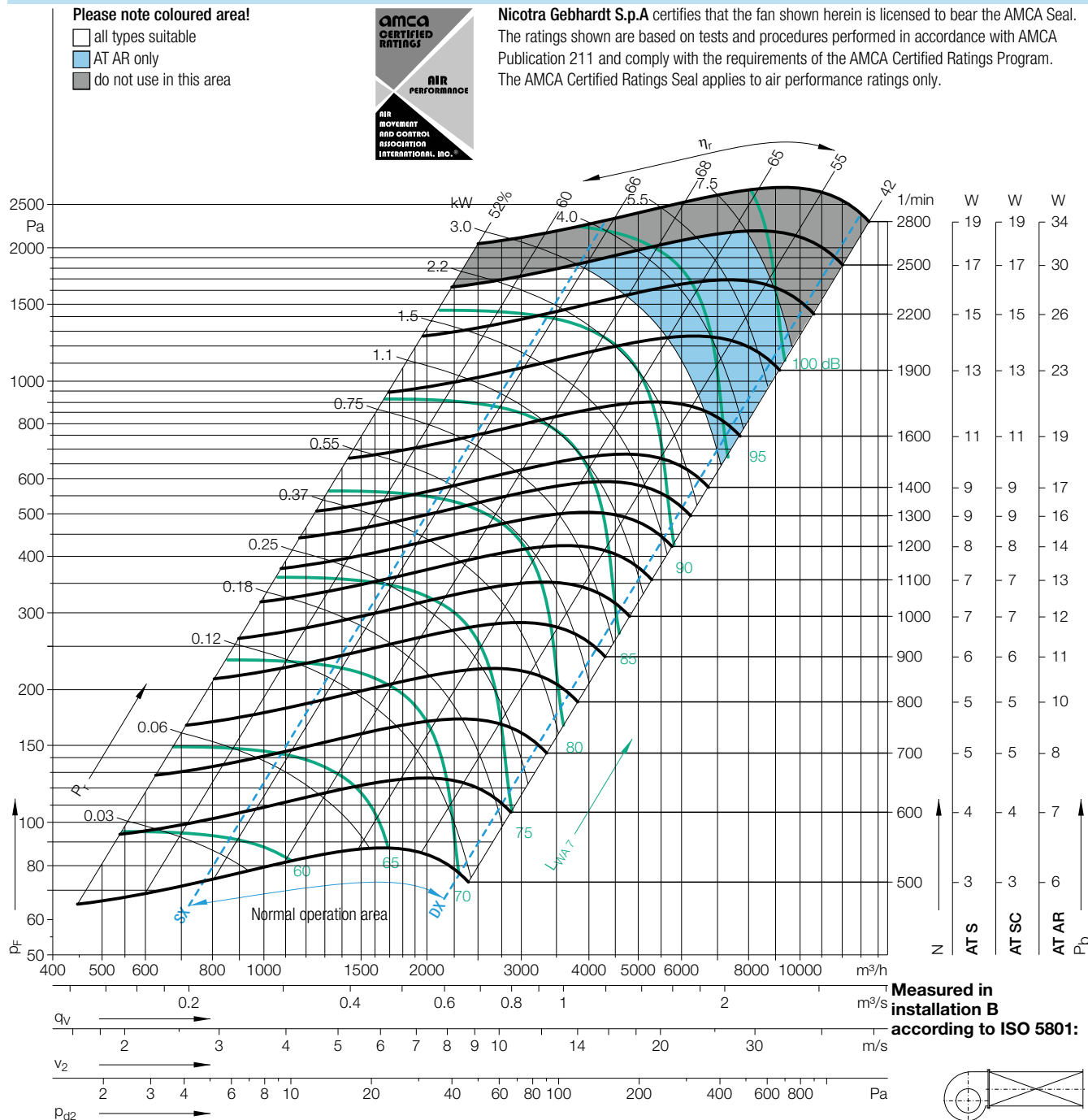
Impeller Data

Impeller diameter	D_r	273 mm
Number of blades	z	48
Moment of Inertia	J	0.047 kgm ²

Impeller Data

Impeller weight	m	2.8 kg
Density of media	ρ_1	1.2 kg/m ³
Tolerance class (DIN 24166)		2

Performance Curves



Duty point	Speed 1/min	$\Delta L_{Wrel4(A)}$ dB
SX	1900	3
SX	1200	3
SX	700	2
$Q_{V,opt}$	1900	2
$Q_{V,opt}$	1200	2
$Q_{V,opt}$	700	2
DX	1900	2
DX	1200	2
DX	700	2

Relative sound power level for inlet side L_{Wrel7} at octave centre frequencies f_c

63	125	250	500	1000	2000	4000	8000	Hz
-9	-8	-2	-8	-6	-5	-9	-14	dB
-7	-3	-3	-7	-3	-7	-11	-18	dB
-3	1	-6	-2	-5	-8	-14	-21	dB
-12	-11	-3	-7	-7	-5	-8	-12	dB
-10	-5	-3	-9	-4	-7	-10	-15	dB
-6	0	-8	-2	-5	-8	-12	-19	dB
-12	-12	-7	-11	-10	-6	-6	-7	dB
-12	-9	-8	-13	-6	-6	-7	-9	dB
-11	-6	-13	-6	-5	-6	-8	-13	dB

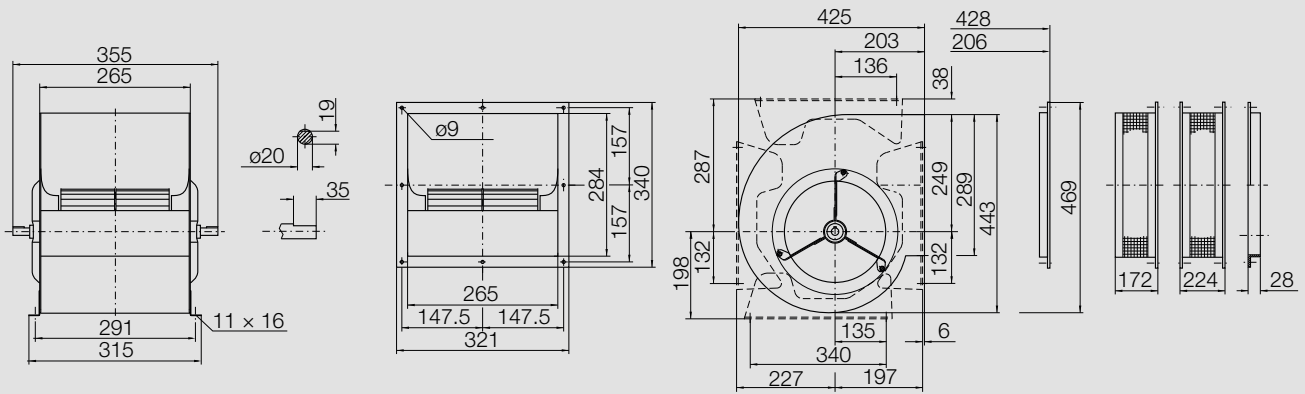
Relative sound power level for discharge side L_{Wrel4} at octave centre frequencies f_c

63	125	250	500	1000	2000	4000	8000	Hz
2	0	4	-4	-3	-3	-7	-12	dB
2	3	1	-4	-1	-5	-9	-16	dB
4	5	-3	1	-3	-6	-12	-20	dB
-2	-4	2	-4	-4	-4	-7	-10	dB
-2	0	1	-6	-2	-6	-8	-14	dB
0	4	-5	0	-4	-6	-11	-18	dB
-4	-6	-2	-8	-6	-3	-4	-6	dB
-5	-4	-5	-9	-4	-4	-5	-8	dB
-5	-3	-9	-4	-3	-5	-6	-13	dB

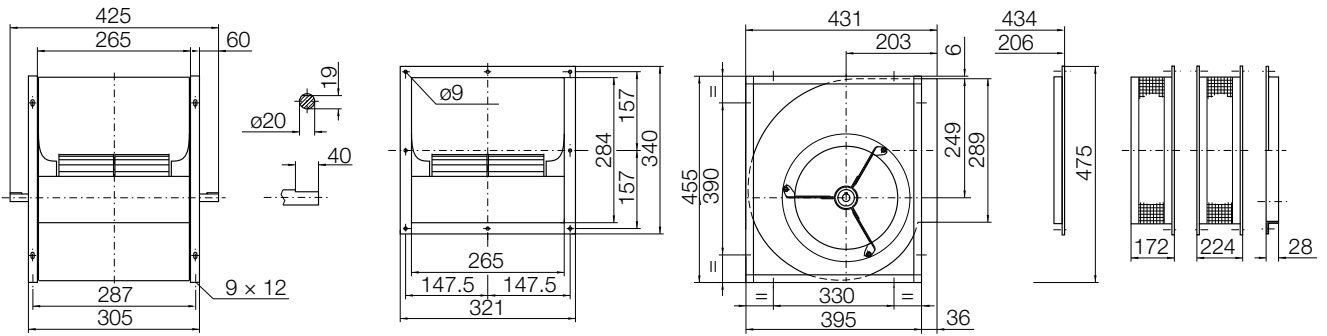
AT 10/8

Dimensions in mm, subject to change.

AT S-10/8 8.3 kg



AT SC-10/8 9.8 kg



AT AR-10/8 9.8 kg

